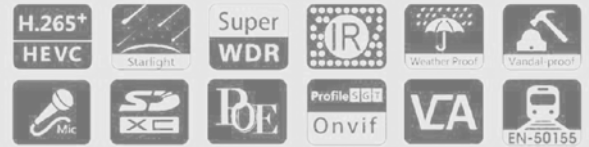


## 2MP ~ 4K Mini-Dome Fix Lens Network Camera Series

### Features:

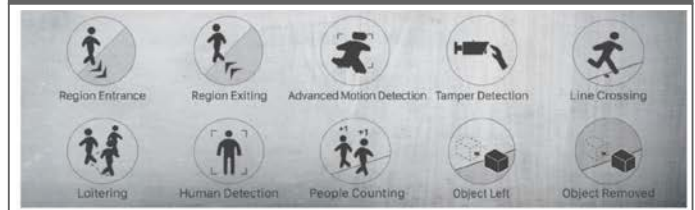
- ▶ 1/2.8" 2MP ~ 4K Megapixel progressive scan Sony STARVIS™ CMOS
- ▶ Lens: 2.8mm/3.2mm/3.6mm@F2.2-M12
- ▶ Primary Stream: 60fps@1080P / 30fps@5MP / 15fps@4K
- ▶ Min. Illumination, Color: 0.002Lux@F1.2 B/W: 0Lux with IR on
- ▶ Starlight Technology
- ▶ Triple-stream Encoding
- ▶ Super WDR 140dB
- ▶ IR Distance: 30m
- ▶ Alarm I/O 1/1
- ▶ Audio I/O , Built-in Microphone; 1/1
- ▶ ONVIF Profile S & G & T
- ▶ Support micro SD up to 128G
- ▶ IP67, IK10 -40°C ~ +60°C



### 0.002Lux Ultra Low-light



### Video Content Analysis



### Reliable Anti-vibration Performance

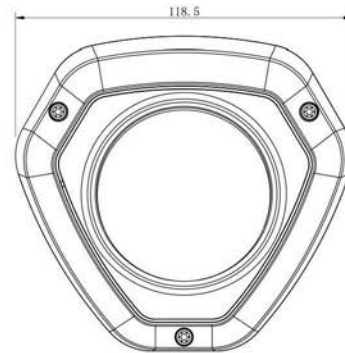
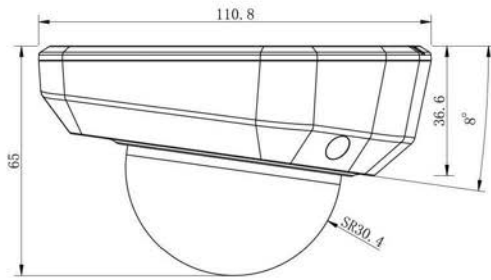
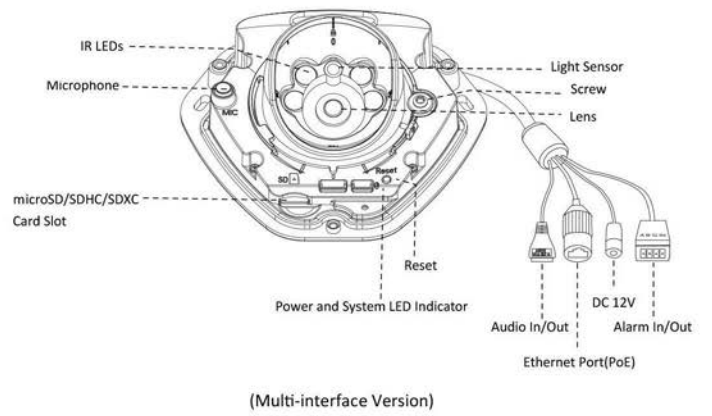
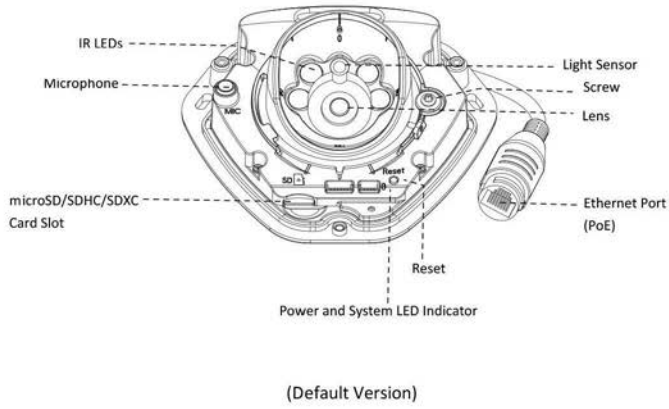


### 140dB Super WDR



|         | Model                     | RDO -2973-(R)PB<br>(2MP)   | RDO -5373-(H)PB<br>(5MP)  | RDO -8173-PB<br>(4K)   |
|---------|---------------------------|--|---|--|
| Camera  | Image Sensor              | 1/2.8" Progressive Scan CMOS   |   |  |
|         | Min. Illumination         | Color: 0.002Lux@F1.2<br>B/W: 0Lux with IR on   | Color: 0.005Lux@F1.2<br>B/W: 0Lux with IR on  | Color: 0.01Lux@F1.2<br>B/W: 0Lux with IR on  |
|         | WDR                       | 140dB Super WDR  |   | 120dB Super WDR  |
|         | Lens                      | 2.8mm @F2.0 / 3.2mm @F2.2 / 3.6mm @F2.2  |   |  |
|         | Mount                     | M12  |   |  |
|         | Field of View             | H123°/D142°/V68°(2.8mm)<br>H105°/D123°/V58°(3.2mm)<br>H94°/D111°/V50°(3.6mm)   | H111°/D141°/V82°(2.8mm)<br>H96°/D123°/V71°(3.2mm)<br>H80°/D102°/V59°(3.6mm)   | H124°/D140°/V69°(2.8mm)<br>H89°/D103°/V49°(3.6mm)  |
|         | Shutter Time              | 1/100000s~1s   |   |  |
|         | IR Distance               | Up to 30m  |   |  |
|         | Day&Night                 | ICR Filter Auto Switch   |   |  |
|         | S/N                       | >55dB  |   |  |
| Video   | Max. Image Resolution     | 1920x1080  | 2592x1944   | 3840x2160  |
|         | Primary Stream            | 60fps@(1920x1080)<br>(Optional for R Series),<br>30fps@(1920x1080, 1280x960,<br>1280x720, 704x576)   | 30fps@(2592x1944),<br>45fps@(2048x1536),<br>60fps@(1920x1080)<br>(Optional for H Series),<br>20fps@(2592x1944),<br>30fps@(2048x1536, 1920x1080,<br>1280x960, 1280x720, 704x576) | 15fps@(3840x2160),<br>30fps@(3072x2048, 2592x1944,<br>2592x1520, 2048x1536, 1920x1080,<br>1280x960, 1280x720, 704x576) |
|         | Secondary Stream          | 30fps@(704x576, 640x480, 640x360, 352x288, 320x240, 320x192, 320x180)  |   |  |
|         | Tertiary Stream           | 30fps@(1920x1080, 1280x720, 704x576, 640x480, 640x360, 320x240, 320x192, 320x180)  |   |  |
|         | Video Compression         | H.265*/H.265(HEVC)/H.264*/H.264/MJPEG  |   |  |
|         | Video Bit Rate            | 16Kbps~16Mbps(CBR/VBR Adjustable)  |   |  |
|         | Image Setting             | Brightness/Contrast/Saturation/Sharpness   |   |  |
| Network | Ethernet                  | 1*RJ45 10M/100M Ethernet Port  |   |  |
|         | Network Storage           | NAS(Support NFS, SMB/CIFS)   |   |  |
|         | Protocol                  | IPv4/IPv6, ARP, TCP, UDP, RTP, RTSP, RTCP, HTTP, HTTPS, DNS, DDNS, DHCP, FTP, NTP, SMTP, SNMP, UPnP, Bonjour, SIP, PPPoE, VLAN, 802.1x, QoS, IGMP, ICMP, SSL                         |   |  |
| Audio   | Audio Compression         | G.711/AAC/G.722/G.726  |   |  |
|         | Audio I/O                 | Built-in Microphone; 1/1 (Multi-interface Version)   |   |  |
| System  | Alarm I/O                 | 1/1 (Multi-interface Version)  |   |  |
|         | Storage                   | Support microSD/SDHC/SDXC Card Local Storage, up to 256G   |   |  |
|         | Advanced Function         | Privacy Masking, BLC, HLC, 2D DNR, 3D DNR, ROI,<br>Defog, AWB, EIS, IP Address Filtering, AGC, Anti-flicker, Corridor Mode, Deblur   |   |  |
|         | SIP/VoIP Support          | Yes, Voice & Video-over-IP   |   |  |
|         | Event Trigger             | Motion Detection, Network Disconnection, Audio Alarm, etc.;  |   |  |
|         | Event Action              | Motion Detection, Network Disconnection, External Input, Audio Alarm, etc. (Multi-interface Version)<br>FTP Upload, SMTP Upload, SD Card Record, SIP Phone, HTTP Notification, etc.; |   |  |
|         | Video Analysis (Optional) | FTP Upload, SMTP Upload, SD Card Record, External Output, SIP Phone,<br>HTTP Notification, etc. (Multi-interface Version)  |   |  |
|         | System Compatibility      | Region Entrance, Region Exiting, Advanced Motion Detection, Tamper Detection, Line Crossing, Loitering,<br>Human Detection, People Counting, Object Left, Object Removed             |   |  |
| General | Working Temperature       | -40°C~60°C   |   |  |
|         | Working Humidity          | 0~90%(Non-condensing)  |   |  |
|         | Power Supply              | PoE (802.3af); PoE (802.3af) / DC 12V ± 10% (Multi-interface Version)  |   |  |
|         | Power Consumption         | 2.5W MAX<br>5W MAX (With IR on)  | 2.5W MAX<br>5.5W MAX (With IR on)   | 5.2W<br>6.6W MAX (With IR on)  |
|         | Housing                   | Up to IP67-rated for Weather-resistant Performance; Vandal-proof IK10-rated Metal Housing  |   |  |
|         | EN50155                   | Support  |   |  |
|         | Weight                    | 500g   |   |  |
|         | Dimensions                | 118.5mmX110.8mmX65mm   |   |  |
|         | Warranty                  | 3/5 Years  |   |  |
|         | Certifications:           |  | CE, FCC, LVD, ISO9001, ISO14001, RoHS<br>EN55032:2015, EN55035:2017, EN61000-3-2:2014, EN61000-3-3:2013, EN62368-1:2014+A11:2017, EN50121                                       |  |

Structure Diagrams



Units: mm

Accessories Support

RA01 Pole Mount  
Weight: 720g  
Dimensions: 170\*51.5\*152.6mm



RA02 Internal Corner Bracket  
Weight: 540g  
Dimensions: 170\*23.2\*205.3mm



RA03 External Corner Bracket  
Weight: 900g  
Dimensions: 170\*152.6\*76.3mm



RA71 Wall Mount  
Weight: 530g  
Dimensions: 162\*124\*78 mm



RA73 Adapter Plate  
Weight: 28g  
Dimension: 115\*122.5\*10mm



RA74 Junction Box  
Weight: 60g  
Dimensions: 121.5\*116.5\*37.2

